

COMPETITION SCHEDULE



**CAIRNS
SHOW**



**15TH - 17TH
JULY 2026**

**SECTION 27
CRAFT &
NEEDLEWORK**

CAIRNS SHOW COMMITTEE 2026

Honourary Historian & Patron: Mr. Ley James
President: Mr. Ian Allen
Treasurer: Ms. Narelle Phipps
Senior Vice President: Mr. Glen Hunter
Assistant Treasurers: Mr. Christopher Van Dorssen
Executive Vice President: Mr. Bevan Clayton
Mr. Desmond Tong
Mr. Francis (Ley) James
Mr. Nathan Lee Long
Management Committee: Mrs. Carolyn Allen
Mr. Leslie Plath
Mr. Daniel Sale
Mr. Michael Tonion
Mr. Louis Underwood
General Committee: Ms. Judy Alyce
Mrs. Janice Anderson
Mr. Raven Cook
Ms. Grace Davis
Mr. Michael Fischer
Mr. David Green
Ms. Amanda Hunter
Ms. Glenda McAuliffe
Mr. Warren March
Mr. Malcom O'Hara
Mr. Robert O'Malley
Mr. Michael Pattini
Ms. Snjezana Tuhega
Mrs. Christine Stoddart
Mr. Robert Stoddart
Mr. Mike Walton

CAIRNS SHOW STAFF 2026

Manager/Secretary: Mr. Ian Moller-Nielsen
Events Coordinator: Miss. Heather Rowlands
Venues/Sites Coordinator: Ms. Emily Barker
Finance Officer: Mrs. Naomi Stewart
Receptionist: Ms. Samantha Martin
Mr. Anthony Miano
Mr. Jeremy Pyke
Groundsman: Mr. Adam Pritchard

WELCOME FROM THE PRESIDENT

Welcome to Australia's largest regional agricultural show, where we proudly celebrate the very best of Far North Queensland's agriculture, industry, culture, and community. Each year, the Cairns Show brings the country to the city, uniting families, honouring traditions, and connecting generations.

Our Show offers an exciting and diverse program featuring competitions, exhibits, entertainment, and hands-on experiences. From livestock and equestrian events to arts, photography, cooking, and horticulture, we are proud to showcase the exceptional talent and passion that make our region unique. And with Queensland's largest Sideshow Alley right here at the Cairns Show, there is truly something for everyone to enjoy.

This year holds special significance as we celebrate the 121st Cairns Show alongside Cairns' 150th Anniversary - a meaningful milestone that allows us to reflect on our shared history, acknowledge the progress of our region, and celebrate the community spirit that continues to define us.

I would like to extend my sincere thanks to the Federal and State Governments and the Cairns Regional Council for their valued support of the show. I also wish to acknowledge our dedicated staff, committee members, volunteers, sponsors, and exhibitors - and, of course, our visitors. Your ongoing support and enthusiasm are what make this iconic event possible year after year.

With so much to explore, one day at the Cairns Show is never enough - so come along, immerse yourself in the festivities, and enjoy everything that makes our Show truly special.

Enjoy the 2026 Cairns Show!



Mr. Ian Allen

President, Cairns Show Association

Cairns Agricultural, Pastoral, and Mining Association



ESSENTIAL SHOW INFORMATION

Cairns Show

Wednesday 15th, Thursday 16th, and Friday 17th July 2026

Gate Opening Times

9:00am - 9:00pm daily

Please note: Some attraction closing times may vary.

Cairns Show Map

The Cairns Show Map is available at all gate entrances, in the Cairns Show Guide, and online via the Cairns Show website, Facebook, and Instagram pages.

Gate Entrances

1. Corner of Severin Street and Mulgrave Road (Main Gates)
2. Quigley Street
3. Mulgrave Road (in front of the Fred Moule Exhibition Centre)
4. Scott Street

Taxi Ranks

1. Mulgrave Road (in front of the Honey Providore Horticulture Pavilion)
2. Scott Street (near St Augustine's College)
3. Corner of Mulgrave Road and Severin Street

Bus Stops

Sunbus Pickup and Drop Offs Points:

- To the City – Mulgrave Road (opposite the Showground Main Entrance)
- From the City – Mulgrave Road (in front of the Cairns Youth Centre)
- Disability Set-Down – Corner of Mulgrave Road and Severin Street

Accessible Parking

Parking Bay Locations:

- 5 bays on Severin Street (near Mulgrave Road)
- 5 bays on Severin Street (outside St Augustine's College Swimming Pool)

Toilets

Please refer to the Cairns Show Map for toilet locations.

ATMS

1. Inside the Main Gate entrance (in front of the Cairns Show Office)
2. Outside the Fred Moule Exhibition Centre
3. Inside the Scott Street entrance (next to Sideshow Alley rides)

First Aid

1. Medical Outpost (near the Main Gate entrance)
2. Clive Gordon Main Arena (Centre Ring)
3. Opposite the Animal Nursery

Smoking

The Cairns Show is a smoke-free environment. Smoking is only permitted in clearly signed, designated areas. Please refer to the Cairns Show Map for locations.

Cloakroom

Located next to the Show Office. Volunteers from the FNQ Hospital Foundation will look after your items while you enjoy the Show. Free sunscreen is available.

Wheelchair/Trolley Hire

Wheelchair and trolley hire is not available. Please come prepared and refer to the Cairns Show Map for rest areas and First Aid locations.

Dogs & Animals

Dogs and animals are not permitted, except for service/guide dogs, approved medical support animals (ID required), and authorised Dog Show competitors.

GATE ADMISSION CHARGES

TICKETING INFORMATION

1. Purchasing Tickets Online is strongly encouraged. To purchase tickets online, please visit the Cairns Show website at www.cairnsshow.com.au.
2. Presold (discounted) tickets will be available at Pre-Sold Ticket Booth and Online. Please refer to the information below for pre-sale ticket purchasing details.
3. Tickets will also be available for purchase at the gates during the Show. Cashless payment is preferred; however, limited ATMs will be available across the grounds. Please refer to the Cairns Show Map for ATM locations.
4. Please note: A transaction fee per order applies to all ticket purchases, both online and in person, and is payable to the ticketing merchant.
5. By purchasing a ticket, you agree to the Terms and Conditions outlined on the Cairns Show website.

PRESOLD TICKETS

Discounted Presold Tickets can be purchased online at www.cairnsshow.com.au or in person at Earlville Shopping Town from **Monday 6 July** to **Monday 13 July**, between 9:00am and 5:00pm. **On Tuesday 14 July**, tickets will be available at the Main Gates of the Cairns Showgrounds from 9:00am to 5:00pm. After 5:00pm, tickets will only be available for purchase online.

Presold Ticket Types:

Valid for One Day – Any Day of the Cairns Show

- **Adult (18 years and over) - \$30**
- **Concession/Pension - \$24***
 - For individuals 14 years and over with a valid Student ID or Pensioner Card
 - *A discounted Concession/Pension voucher may be published in the local newspaper, offering One Day – Any Day entry at \$21. Please refer to the Cairns Show website for details.*
- **Child (5 years to under 14 years) - \$16**
- **Child (Under 5 years) - FREE**
- **Family Pass (2 Adults & 2 Children) - \$75**
 - Children must be aged 5 years to under 14 years
 - Family members will receive individual tickets, allowing entry at different times on the same day

TICKETS AT THE GATE

From **12:00am Wednesday 15 July**, ticket prices will revert to standard gate pricing as listed below.

Ticket at the Gate Types:

Valid for One Day – Any Day of the Cairns Show

- **Adult (18 years and over) - \$30**
- **Concession/Pension - \$24**
 - For individuals 14 years and over with a valid Student ID or Pensioner Card
- **Child (5 years to under 14 years) - \$16**
- **Child (Under 5 years) - FREE**
- **Family Pass (2 Adults & 2 Children) - \$78**
 - Children must be aged 5 years to under 14 years
 - Family members will receive individual tickets, allowing entry at different times on the same day

BONUS DOLLARS

1. Bonus Dollars are not available for purchase online.
2. One sheet of Bonus Dollars costs \$25 and provides \$30 value.
3. Bonus Dollars are valid for use in Sideshow Alley only and can be redeemed on rides, food, and games.
 - Not redeemable for Showbags
 - Not transferable
 - Cannot be replaced if lost, stolen, or misplaced
 - Unused tickets are non-refundable

CAIRNS SHOW ASSOCIATION MEMBERSHIP

CAIRNS SHOW MEMBERSHIP INFORMATION

Become a Member of the Cairns Agricultural, Pastoral and Mining Association (CAPMA) and enjoy a range of benefits across the Cairns Show, Cairns Show Wine Awards, Cairns Show Auto Spectacular, and other events throughout the year.

1. To apply for membership and view the full list of member benefits, please visit our website.
2. All membership types include three-day entry to the Cairns Show.
3. Membership applications and renewals open **January 2026** and close **Friday 10 July 2026**.
4. Membership is valid for the membership year ending **31 December 2026**. The Cairns Show Association reserves the right to refuse any application. Memberships are limited and subject to availability.
5. By purchasing a Cairns Show ticket, membership, and/or Bonus Dollars, the holder agrees to the CAPMA Copyright, Privacy Policy, and Disclaimer.

MEMBERSHIP TYPES:

Annual Membership - \$120

Or \$1200 for a Permanent 10-Year Membership

CAPMA Members aged 18 years and over receive the following benefits:

1. One (1) Member's Shield providing unrestricted three-day entry to the Cairns Show (single person entry).
2. One (1) Member's Guest Shield providing unrestricted three-day entry to the Cairns Show (non-transferable, single person entry).
3. Access to the De Jarlais Members Pavilion during the Cairns Show. *(Buffet and bar are not included and are payable directly to vendors on the day.)*
4. Access to exclusive Member deals during the Cairns Show

ShowTime Membership - \$65

Available as part of the ShowTime promotional offer only.

ShowTime Members receive the following benefits:

1. One (1) Member's Shield providing unrestricted three-day entry to the Cairns Show (single person entry).
2. Access to the De Jarlais Members Pavilion during the Cairns Show. *(Buffet and bar are not included and are payable directly to vendors on the day.)*
3. Access to exclusive Member deals during the Cairns Show.

Concession Membership - \$24

CAPMA Members aged 14 years to under 18 receive:

1. One (1) Member's Shield providing unrestricted three-day entry to the Cairns Show (single person entry).
2. Access to the De Jarlais Members Pavilion during the Cairns Show.
 - Buffet and bar are not included and are payable directly to vendors on the day.)
 - Members under 18 years must be always accompanied by an adult.

Concession Members aged 18 years and over receive the above, plus:

- Must hold and present valid Concessional Student Identification.
- Access to exclusive Member deals during the Cairns Show.

Child Membership - \$17

CAPMA Members aged 5 years to under 14 receive:

1. One (1) Member's Shield providing unrestricted three-day entry to the Cairns Show (single person entry).
2. Access to the De Jarlais Members Pavilion during the Cairns Show.
 - Buffet and bar are not included and are payable directly to vendors on the day.)
 - Members under 18 years must be always accompanied by an adult.

GENERAL CONDITIONS - COMPETITIONS

ENTRY & COMPETITIONS

This Show operates in accordance with the regulations of the Queensland Chamber of Agricultural Societies, the Constitution and Rules of the Cairns Agricultural, Pastoral and Mining Association (CAPMA), and the regulations outlined within each section of this Show Schedule. In the event of any inconsistency, the rules and regulations contained within this Society's Schedule will take precedence.

For detailed information on the Queensland Chamber of Agricultural Societies regulations, please visit www.queenslandshows.com.au.

By participating in any class within this Schedule, all exhibitors and competitors agree to indemnify the Cairns Agricultural, Pastoral and Mining Association against any liability for accidents, damage, loss, or illness involving any exhibit, exhibitor, or competitor. All competitions are conducted under the full authority of CAPMA, and all decisions made by the Association are final.

THE CAIRNS AGRICULTURAL PASTORAL AND MINING ASSOCIATION

1. Competition entries and membership applications will not be accepted over the phone.
2. Each Section will have an appointed Chief Steward responsible for representing that Section in all matters. Failure to follow lawful directions from Stewards, Committee Members, or Staff, or any form of verbal or physical abuse, may result in disciplinary action, including exclusion from competitions and/or removal from the Cairns Showgrounds.
3. Judges will be appointed, and all judging decisions are final. No correspondence, verbal or written, will be entered.
4. **The Association reserves the right to make decisions, additions, or amendments to this Schedule, including Conditions of Entry and Special Regulations, without notice.**
5. By entering any competition, exhibitors acknowledge and agree to comply with all Conditions of Entry.
6. Judges must not have access to any information beyond that provided by CAPMA. Vice Presidents are not permitted to compete in sections under their direct control.

ANIMAL AND BIRD EXHIBITORS

1. All animal and bird exhibitors must complete an Exhibit Health Declaration upon delivery of their entry and comply with all health requirements outlined in the declaration. Forms are available from the Show Office or at www.cairnsshow.com.au.
2. Animal owners are responsible for all veterinary costs incurred. The Cairns Show will not cover veterinary expenses.
3. Entry to the grounds is subject to the following conditions:
 - a. Glass items are prohibited on the grounds.
 - b. All electrical leads must be tested and tagged in accordance with relevant industrial regulations.
 - c. Dogs must be always kept on a leash.

PRIZE MONEY & GST

Prize money listed in the Schedule is exclusive of GST. GST will be added for exhibitors registered for GST purposes. The Association will issue a Recipient Created Tax Invoice to eligible exhibitors.

PRIVACY STATEMENT

The Cairns Show Association collects and uses information provided in membership and competition entry applications to deliver member services and to organise and conduct competitions. By applying for membership or entering competitions, you consent to providing personal details such as name, address, and exhibit information. Competition results and details may be shared with media and included in publications. Your personal information will not be disclosed for any other purpose without your consent, unless required by law.

SECTION 27 CRAFT & NEEDLEWORK

OFFICIALS

Chief Steward: Ms. Carol Coates

Steward: Ms. Mary Mattson, Mrs. Jan Anderson, & Mrs. Sandra Bawden

KEY INFORMATION

Entry Fee: \$FREE

Prize: 1st - \$8 + Card, 2nd - \$4 + Card, 3rd - Card, Highly Commended Card - *unless otherwise stated*

Entries Close: 4pm **Friday 19th June**. Entries on the day of Delivery may be accepted.

Delivery of Exhibits: 9am-4pm **Thursday 9th July** and **Friday 10th July** - WIN News Arts & Crafts Pavilion (underneath De Jarlais Function Centre).

Competition Lapidary must be taken to the Fred Moule Exhibition Centre (refer to Sub Section for notes).

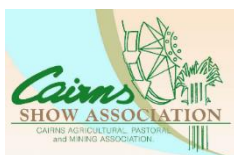
Judging: 9am **Saturday 11th July**.

Collection of Exhibits: **NOT BEFORE** 10am-2pm **Saturday 18th July** - Main Arena (Centre Ring) side of Arts & Crafts Hall.

SPONSORS

The Cairns Show Association wishes to record its sincere appreciation to the following Sponsors who have contributed to this area.

Cairns Agricultural, Pastoral and Mining Association, Channel 9 WIN News, Showbag Warehouse, ORN Alterations, Dream Sewing Supplies and Cairns Needle at Work.



HOW TO ENTER

1. Complete an Entry online or in person at the Cairns Show Office, or post via PO Box 811 Bungalow, QLD 4870.
2. Entries will not be accepted over the phone. Entries may be accepted on the day of Delivery.
3. Entries must be delivered to the designated part of the Showgrounds by the due date time and date shown.

AFTER THE SHOW

- Exhibits NOT collected by **28th August 2026** will become Property of the Cairns Show Association.
- Prize Money can be collected between 9am and 4pm Monday to Friday **3rd August to 28th August** from the Show Office if your total prize money is less than \$50.
- Proof of identity is required to collect Prize Money. If you are collecting prize money on behalf of someone else, a letter of authorisation from that person will be required.
- All Prize Money less than \$50 not collected by **28th August, 4pm 2026** will be returned to the Cairns Show Association Funds.
- Prize money of \$50 and over will be deposited to the entrant's nominated bank account after **28th August**. Please ensure you have provided your bank details to the Cairns Show Office. If you have not, a staff member will contact you via email.
- Results will be available from the [Cairns Show website](#) AFTER the conclusion of the Show.

SPECIAL REGULATIONS

- Refer General Conditions of Entry and Competition in front of this Schedule.
- All exhibits must be the original and unaided work of the exhibitor. Factory made articles are not allowed in this Section.
- No exhibit can be entered into more than one class.
- All exhibits in Junior Classes must be nominated under their name, signed by an adult and include date of birth on entry form.
- All exhibits must have been executed/completed within the last twelve (12) months prior to the **2026 Cairns Show**.
- To assist the Stewards in arranging and dispatching exhibits after the Show, a small, sealed envelope containing name and address of owner must be securely attached to the back of each exhibit.
- Please attach Class Card to the back, bottom right-hand side of the exhibit, the class card must be visible.
- Name and address or contact number must also be at the back of the Class Card.
- All exhibits forwarded by mail must include return postage. The Cairns Show Association takes absolutely no responsibility for items forwarded by mail.
- No person other than Judges, Chief Steward and Stewards to be present while Judging is taking place. Arts & Crafts Pavilion will be locked during Judging.
- The Judge reserves the right to alter the Class of an exhibit.
- Out of town exhibitors may collect exhibits AFTER the fireworks for 30 minutes on **Friday Night 17th July 2026**. Prior arrangements must be made with Chief Steward.
- In the event of an exhibit in any one class not being worthy of a prize, no prize money will be awarded.
- Please deliver items between 9am - 4pm on **Thursday 9th** and **Friday 10th July 2026**.
- Exhibits may be collected from 10am to 2pm on **Saturday 18th July 2026** from The Arts and Crafts Hall - Ring Side (underneath the De Jarlais Function Centre at the Showgrounds).
- No responsibility will be taken for exhibits left in the Arts & Crafts Hall after this time.
- No free passes available to exhibitors.
- All hanging exhibits in Craft Classes must be suitably framed and fitted with appropriate hanging wire; otherwise, they will not be displayed.
- All exhibits for sale must be clearly marked with price. Exhibits not for sale must be marked "NFS".
- Commission of 20% will apply to all works sold and must be included in the sale price. Please liaise with Chief Steward.
- Sold exhibits must not be removed until **Saturday 18th July 2026**.
- Please ensure you are aware of your class number. This is the number on the far-left hand side of the class description in Schedule
- Translation card (if necessary) attached to item on the right-hand corner at the front.

CRAFT**OPEN CRAFT**

Class 27001 Thrift Article

Made from scrap material - any medium

Class 27002 Any Upcycled Article

Any medium - Paper, Metal, Wood, Fabric. Description to be included.

Class 27003 Woodburning

Class 27004 Novelty Article

Class 27005 2 Coat Hangers

Any medium - 2 distinctive patterns.

Class 27006 Toy

Any medium - not knitted or crocheted.

Class 27007 Macrame

Class 27008 Beadwork - Jewellery

Class 27009 Beadwork - Any Other Article

Class 27010 Mosaic - 2 Dimensional

Class 27011 Mosaic - 3 Dimensional

Class 27012 Dressed Doll

Class 27013 Scrapbooking - Category 'Christmas'

Open Class - One page, in plastic sleeve.

Class 27014 Scrapbooking - Category 'Celebration' of Anything

Open Class - One page in plastic sleeve.

Class 27015 Scrapbooking - Category 'Heritage'

Open Class - One page in Plastic Sleeve

Class 27016 Paper Crafting Card

For any Occasion and Technique

Class 27017 Paper Crafting Technique

Handmade Books, Altered Books, Paper Tole, Paper Sculpture, etc.

Class 27018 Christmas Decoration - Any Article

Class 27019 Millinery

Any medium, any style.

Class 27020 Resin Work

Class 27021 Woodburning

Class 27022 Any Other Article Not Mentioned

Class 27023 Miniatures

Any Medium

OPEN COMBINATION CRAFT

Class 27024 Any Article

Open Class - Wood metal, wire, mixed media, crochet/knitting, sewing/dying - Be creative

Class 27025 Group Projects

5 people or more

ENHANCE A BAG

Entry Fee: FREE

Prize: 1st - \$8, 2nd - \$4

Class 27026 Enhance a Bag

Class 27027 Up-Cycled Bag

Participants are invited to take a plain, everyday bag - such as a tote bag, handbag, backpack, or similar - and transform it into a unique and visually striking piece.

Entries may be decorated using a range of materials, including embellishments, fabric additions, paint, or other creative elements. Competitors are encouraged to demonstrate originality and creativity in their designs.

Judging will be based on creativity, workmanship, and overall presentation.



CRAFT – CONTINUED

HAND DRAWN ART

Created Using Repetitive Patterns (Tangles)

SPECIAL REGULATIONS

1. Min Size: Greeting Card
2. Max Size: A4
3. No signatures on front of artwork

Class 27028 Abstract Repetitive Patterns (Tangles)

Viewed from any orientation. Black, white with grey shading palette only.

Class 27029 Traditional Art or Structured

Designed together with Repetitive Patterns (Tangles). Viewed from a specific oriental. Any colour palette.

CHAMPION OPEN CRAFT OF SHOW - \$20

Open to Classes 27001 - 27029

Prize: \$20 + Sash

FOLK ART

All Folk Art exhibits must comply with the Conditions of Entry.

Class 27030 Folk Art - Junior

For children Under 15 Years. MUST have been completed in a classroom situation and must be the unaided work of the exhibitor.

Class 27031 Folk Art - Beginners

Less than 2 Years experience

Class 27032 Folk Art - Intermediate

Over 2 Years' experience

Class 27033 Folk Art - Open Traditional

Baroque, Bauernmaleri Hinderloopen, Intarsia, Naïve, Rosemailing, Russian Floral.

Class 27034 Folk Art - Open Decorative

Floral and other themes, boats, fairies, lace, teddies, etc.

CHAMPION FOLK ART OF SHOW - \$20

Open to Classes 27030 - 27034

Prize: \$20 + Sash

JUNIOR CRAFT - 12 YEARS AND UNDER

Prize: 1st - \$5, 2nd - \$3, 3rd - \$2, Highly Commended Card.

Class 27035 Beadwork

Any Article

Class 27036 Novelty - Made from Paper Plate

Class 27037 Christmas Decoration

Hanging Christmas Tree Decoration or Christmas Table Decoration

Class 27038 French Knitting

Any Article

CRAFT – CONTINUED

Class 27039 Toy

Any Article

Class 27040 Paddle Pop Sticks

Any Article

Class 27041 Paper Mache

Any Article

Class 27042 Scrapbooking

Any Category, One Page, in Plastic Sleeve.

Class 27043 Loom Craft

Class 27044 Any Other Article Not Mentioned

Class 27045 Paper Crafting Card

Card for any Occasion and Technique.

Class 27046 Any Machine Sewn Article or Clothing

Class 27047 Two Coat Hangers

Any Medium

CHAMPION JUNIOR CRAFT 12 YEARS AND UNDER OF SHOW - \$10

Prize: \$10 + Sash

JUNIOR CRAFT - 13 YEARS TO UNDER 18 YEARS

Prize: 1st - \$5, 2nd - \$3, 3rd - \$2, Highly Commended Card.

Class 27048 Beadwork

Any Article

Class 27049 Novelty Made from Paper Plate

Class 27050 Christmas Decoration

Hanging Christmas Tree Decoration or Christmas Table Decoration.

Class 27051 French Knitting

Any Article

Class 27052 Toy

Any Article

Class 27053 Paddle Pop Sticks

Any Article

Class 27054 Paper Mache

Any Article

Class 27055 Scrapbooking

Junior Class - Any Category, One Page, in plastic sleeve.

Class 27056 Loom Craft

Class 27057 Any Other Article Not Mentioned

Class 27058 Paper Crafting Card

For any Occasion and Technique

Class 27059 Any Machine Sewn Article or Clothing

Class 27060 Two Coat Hangers

Any Medium

CHAMPION JUNIOR CRAFT 13 YEARS TO UNDER 18 YEARS OF SHOW - \$10

Prize: \$10 + Sash



NEEDLEWORK

**Exhibits must not be washed but should be well pressed. Cleanliness is essential for hand work.
All exhibits must have been executed/completed within the last twelve (12) months prior to the 2026 Cairns Show.**

Entry Fee: FREE

Prize: 1st - \$8 + Card, 2nd - \$4 + Card, 3rd - Card, Highly Commended Card - *unless otherwise stated*

OPEN CROCHET

Class 27061 Infant's Bonnet or Booties

Class 27062 Baby's Outfit

No less than 4 pieces (a pair of booties is classed as 1 piece).

Class 27063 Doyley

Up to 21 cm

Class 27064 Table Centre

Over 21cm

Class 27065 Runner or Tray Cloth

Class 27066 Handkerchief

Class 27067 Lady's Stole or Shawl

Any Medium

Class 27068 Tea Cosy

Any Medium

Class 27069 Cushion

Any Medium

Class 27070 Toy

Any Medium

Class 27071 Bedspread or Knee Rug

Any Medium

Class 27072 Fridge Towel

Class 27073 Any Other Article Not Specified

CHAMPION CROCHET OF SHOW - \$20

Prize: \$20 + Sash

Sponsored by ORN Alterations



OPEN HAND KNITTING

Class 27074 Infant's Bonnet or Booties

Class 27075 Baby's Outfit

No less than 4 pieces (a pair of booties is classed as 1 piece).

Class 27076 Adults Pullover, Vest, Cardigan or Garment

Class 27077 Toy

Class 27078 Tea Cosy

Class 27079 Any Other Knitted Article Not Specified

CHAMPION OPEN HAND KNITTING OF SHOW - \$20

Prize: \$20 + Sash

NEEDLEWORK – CONTINUED

MACHINE KNITTING

Class 27080 Machine Knitting Novice

CHAMPION MACHINE KNITTING NOVICE - LESS THAN TWELVE MONTHS EXPERIENCE - \$20

Prize: \$20 + Sash

Class 27081 Machine Knitting Open

CHAMPION MACHINE KNITTING OPEN - \$20

Prize: \$20 + Sash

OPEN HAND EMBROIDERY

Class 27082 Smocked

Any Article. Smocking - 90% = Judging, 10% = Finishing of Article

Class 27083 Applique Work

Class 27084 Table Centre

Class 27085 Cross Stitch Picture Framed

Class 27086 Cross Stitch and Embellishments

Class 27087 Cross Stitch – Any Other Article Not Mentioned

Class 27088 Needlework Picture Including Tapestry

Must be Framed

Class 27089 Tapestry Longstitch Picture

Must be Framed

Class 27090 Hardanger

Any Article

Class 27091 Runner or Tray Cloth

Class 27092 Doyleys

3 Distinctive Patterns

Class 27093 Hand Embroidery Traditional

Class 27094 Hand Embroidery Contemporary

Class 27095 Fabric Hand Stitched Book

Journal may include some free Machine Embroidery. Any Article.

Class 27096 Pin Cushion

Any Medium

CHAMPION OPEN HAND EMBROIDERY OF SHOW - \$20

Prize: \$20 + Sash

Sponsored by ORN Alterations

BOBBIN LACE

Entry Fee: FREE

Prize Money: 1st - \$50, 2nd - \$25, 3rd - \$10

Class 27097 Bobbin Lace

Type of lace and designers name (or own design) to accompany exhibit.

CHAMPION BOBBIN LACE OF SHOW - \$20

Prize: \$20 + Sash



NEEDLEWORK – CONTINUED

OPEN MACHINE SEWING

Any item professionally quilted must be entered into the relevant section. Example: Patchwork, Applique etc. not into quilting.

Class 27098 Embroidery

Any Medium

Class 27099 Applique Work

Class 27100 Quilting

Any Article

Class 27101 Art Quilt

Class 27102 Child's Garment

Class 27103 Evening Wear

Class 27104 Garment

Class 27105 Decorated Hand Towel and Washer Set

Class 27106 Apron

Class 27107 Patchwork

Class 27108 Bag

Any Medium

Class 27109 Cushion

Any Medium

Class 27110 Machine Sewing

Minimum of 3 Machine Sewing techniques - Any Article.

For example: Patchwork, Quilting, Applique or Machine embroidery. Please provide description of how item was made and what techniques were used. It can include dying and hand embroidery but must have a minimum of 3 Machine Sewing techniques.

Class 27111 Any Other Machine-Made Article Not Specified

For example: printed panel with minimum outline quilting

NOVICE SEWING

Prize: One year membership to the Australian Sewing Guild

Sponsored by the Australian Sewing Guild



Class 27112 Any Garment

Sewing of a garment (non-stretch) woven fabric, suitable for adults or teenagers.

CHAMPION MACHINE SEWING OF SHOW - \$20

Prize: \$20 + Sash + Sewing Machine

Sponsored by Dreaming Sewing Supplies



NEEDLEWORK – CONTINUED

70 YEARS AND OVER

Class 27113 Crochet

Any Article

Class 27114 Knitting

Any Article

Class 27115 Embroidery Work

Any Article

Class 27116 Novelty

Any Article, including Fabric Books/Journals.

Class 27117 Any Other Article Not Mentioned

Class 27118 Free Motion Embroidery Work

CHAMPION 70 YEARS AND OVER - \$20

Prize: \$20 + Sash

80 YEARS AND OVER

Class 27119 Any Article

CHAMPION 80 YEARS AND OVER - \$20

Prize: \$20 + Sash

JUNIOR - 12 YEARS OF AGE AND UNDER

State Age on Entry Form.

Prize: 1st - \$5 + Sash, 2nd - \$3, 3rd - \$2, Highly Commended Card

Class 27120 Crochet

Any Article

Class 27121 Knitting

Any Article

Class 27122 Embroidery

Any Article

Class 27123 Novelty Garment

Machine Sewing

Class 27124 Patchwork Bag

Class 27125 Cushion

Machine Sewing

Class 27126 Toy

Any Medium

Class 27127 Dressed Doll

Class 27128 Two Coat Hangers

Any Medium

Class 27129 Pin Cushion

Any Medium

Class 27130 Any Article Not Specified

NEEDLEWORK – CONTINUED

JUNIOR - 13 YEARS TO UNDER 18 YEARS OF AGE

State Age on Entry Form

Prize: 1st - \$5 + Sash, 2nd - \$3, 3rd - \$2, Highly Commended Card

Class 27131 Crochet

Any Article

Class 27132 Knitting

Any Article

Class 27133 Embroidery Work

Any Article

Class 27134 Garment

Machine Sewing

Class 27135 Nightwear

Machine Sewing

Class 27136 Tea Cosy

Any Medium

Class 27137 Table Centre

Any Medium

Class 27138 Toy

Any Medium

Class 27139 Two Coat Hangers

Any Medium

Class 27140 Any Article Not Specified

Class 27141 Pin Cushion

Any Medium

CHAMPION JUNIOR OF SHOW - \$10

Prize: \$10 + Sash

SPECIAL NEEDS 12 YEARS AND UNDER

State Age on Entry Form

Prize: 1st - \$5 + Sash, 2nd - \$3, 3rd - \$2, Highly Commended Card

Class 27142 Crochet

Any Article

Class 27143 Knitting

Any Article

Class 27144 Embroidery Work

Any Article

Class 27145 Any Machine-Made Article

Class 27146 Any Craft Item

Class 27147 Any Other Painted Article

Class 27148 Any Article Not Specified

Class 27149 Pin Cushion

Any Medium

CHAMPION SPECIAL NEEDS 12 YEARS AND UNDER - \$10

Prize: \$10 + Sash

NEEDLEWORK – CONTINUED

SPECIAL NEEDS 13 YEARS TO UNDER 18 YEARS

State Age on Entry Form

Prize: 1st - \$5 + Sash, 2nd - \$3, 3rd - \$2, Highly Commended Card

Class 27150 Crochet

Any Article

Class 27151 Knitting

Any Article

Class 27152 Embroidery Work

Any Article

Class 27153 Any Machine-Made Article

Class 27154 Any Craft Item

Class 27155 Any Other Painted Article

Class 27156 Any Article Not Specified

Class 27157 Pin Cushion

Any Medium

CHAMPION SPECIAL NEEDS 13 YEARS TO UNDER 18 YEARS - \$10

Prize: \$10 + Sash

SPECIAL NEEDS - OPEN

State Age on Entry Form

Prize: 1st - \$5 + Sash, 2nd - \$3, 3rd - \$2, Highly Commended Card

Class 27158 Crochet

Any Article

Class 27159 Knitting

Any Article

Class 27160 Embroidery Work

Any Article

Class 27161 Any Machine-Made Article

Class 27162 Any Craft Item

Class 27163 Any Other Painted Article

Class 27164 Any Article Not Specified

Class 27165 Pin Cushion

Any Medium

CHAMPION SPECIAL NEEDS - OPEN - \$20

Prize: \$20 + Sash

GRAND CHAMPION NEEDLEWORK ARTICLE OF SHOW - \$20

Prize: \$20 + Sash

Sponsored by ORN Alterations

GRAND CHAMPION OF HALL - \$20

Prize: \$20 + Sash

Sponsored by ORN Alterations





LAPIDARY

KEY INFORMATION

Entry Fee: FREE – *limit of 2 entries per person, per class*

Prize: 1st - \$8 + Card, 2nd - \$4 + Card, 3rd - Card, Highly Commended Card

Delivery of Exhibits: All entries must be delivered by 10am Friday 1st June 2026.

- Members of the Cairns Mineral & Lapidary Club must deliver their entries to the Club directly.
- Members of the Public must deliver their entries to the Cairns Show Office.
- All entries must be accompanied by the General Entry Form, or a copy of the Showday Online entries.

Judging: 12pm **Wednesday 15th July**. Judge is an accredited Judge for QLD Lapidary & Allied Craft Clubs Association (QLACCA).

Collection of Exhibits: TBC.

CONDITIONS OF ENTRY

- The competition is classed as a level two competition. This competition shall be run in accordance with the AFLACA Competition and Judging Manual Issue No. 8, April 2015.
- All possible care will be taken with entries, but the committee will not be held responsible for any loss or damage during display, storage, or transport. Insurance is the responsibility of the competitor.
- All entries are to be the applicant's own work. No entry must have won at the same level, group, and division.

NOVICE SECTION

Class 27166 N.1A Standard Cabochon

Minimum Size 29mm on Longest Axis. Any material - craftsmanship.

Class 27167 N.16 Gem Tree

Class 27168 N.8A Faceted Standard Round Brilliant with Continuous Girdle

Minimum Size 8mm - Quartz

Class 27169 N.18D Hand Fabricated Jewellery with Commercial Lapidary Item/s

Set by Entrant - Any material.

Class 27170 N.18E Wire Wrapped Jewellery with Lapidary Item Cut and Set by Entrant

Class 27171 N.20A Cast Jewellery Not Intended to Include Lapidary

OPEN SECTION

Class 27172 O.1B Fancy Cabochon

Any material - craftsmanship.

Class 27173 O.9A Faceted Standard Oblong Step cut with Cut Corners

Quartz.

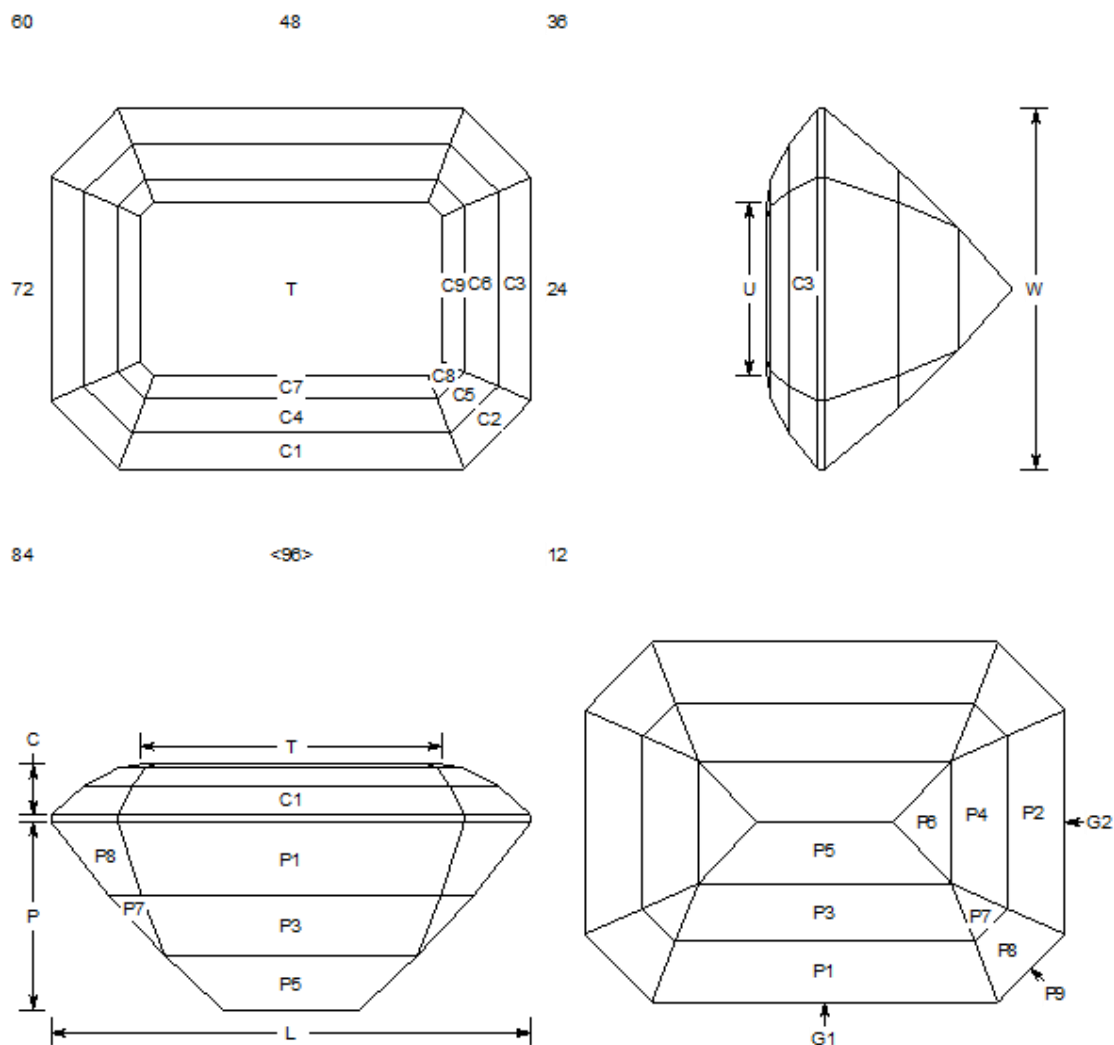
Class 27174 O.18A Hand Fabricated Jewellery without Lapidary

Class 27175 O.18E Wire Wrapped Jewellery with Lapidary Item/s Cut and Set by Entrant

Any material.

STANDARD OBLONG STEP CUT WITH CUT CORNERS

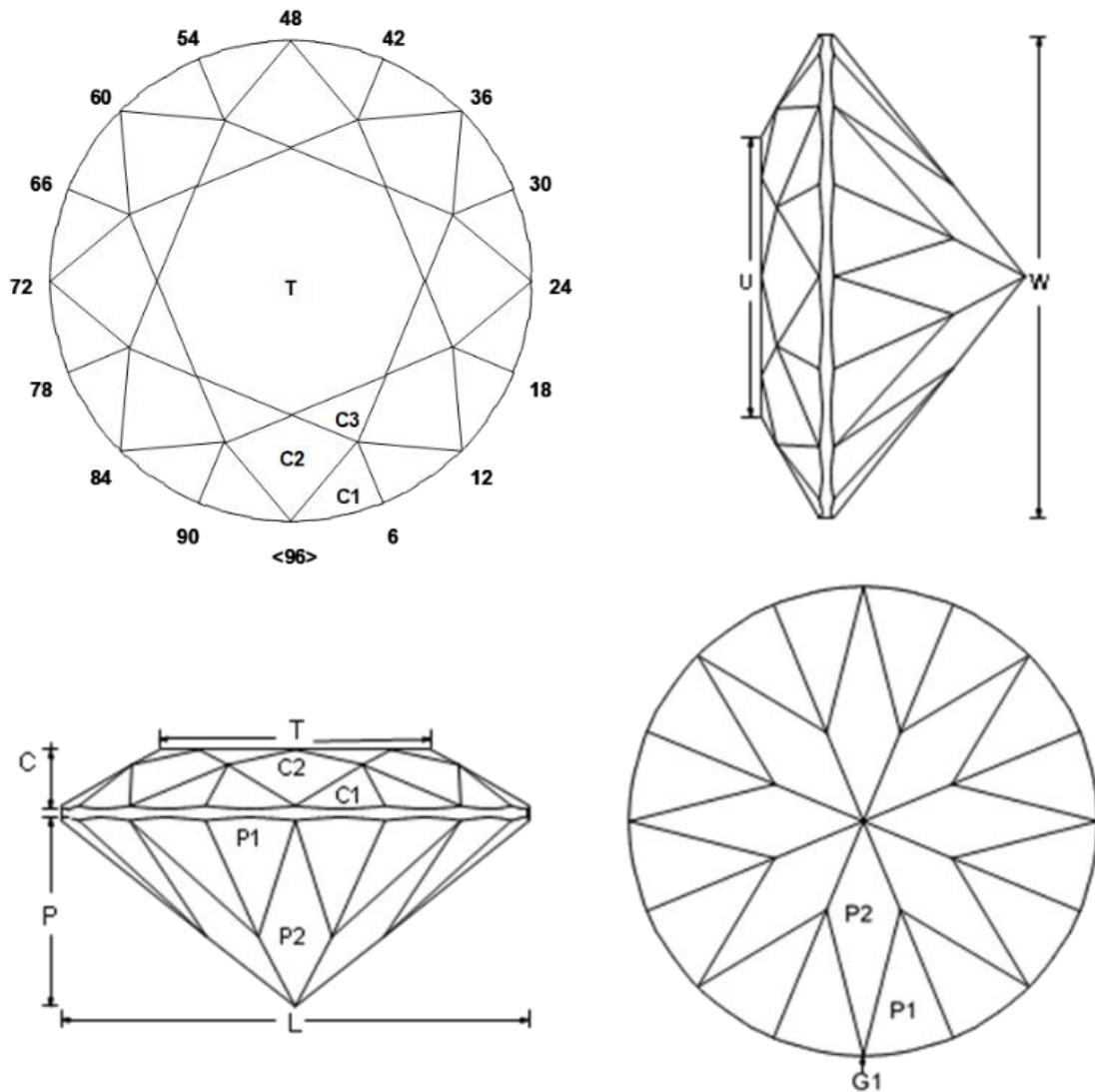
Section O.9A Quartz Facets 53: Meets 44 (Crown – 24, Pavilion – 20)
 NOTE: Stone L/W ratio must generate an obvious 'keel'
 Angles for R.I. = 1.540
 45 + 8 girdles = 53 facets
 2-fold, mirror-image symmetry
 96 index
 L/W & T/W = refer to step G2 U/W = 0.554
 P/W = 0.656 C/W = 0.240
 Vol./W³ = refer to step G2



PAVILION			CROWN				
G1	90.00 ⁰	96-48	Set width	C1	55.00 ⁰	96-48	Set girdle thickness
G2	90.00 ⁰	24-72	Set length, see NOTE	C2	55.00 ⁰	12-36-60-84	Level girdle
P1	63.00 ⁰	96-48	Form girdle	C3	55.00 ⁰	24-72	Level girdle
P2	63.00 ⁰	24-72	Level girdle	C4	42.00 ⁰	96-48	Judge height by eye
P3	53.00 ⁰	96-48	Judge depth by eye	C5	42.00 ⁰	12-36-60-84	Meet C1-C2-C4
P4	53.00 ⁰	24-72	Meet P1-P2-P3	C6	42.00 ⁰	24-72	Meet C2-C3-C5
P5	43.00 ⁰	96-48	Judge depth by eye, form keel	C7	26.00 ⁰	96-48	Judge height by eye
P6	43.00 ⁰	24-72	Meet P3-P4-P5	C8	26.00 ⁰	12-36-60-84	Meet C4-C5-C7
P7	53.00 ⁰	12-36-60-84	Meet P3-P4-P5-P6	C9	26.00 ⁰	24-72	Meet C5-C6-C8
P8	63.00 ⁰	12-36-60-84	Meet P1-P3-P7	T	0.00 ⁰	Table	Judge height by eye
P9	90.00 ⁰	12-36-60-84	Level girdle				

STANDARD ROUND BRILLIANT WITH CONTINUOUS GIRDL

Section N.8A Quartz Facets 58: Meets 41 (Crown – 24, Pavilion – 17)
 Angles for R.I. = 1.540
 57 + 1 rolled girdle = 58 facets
 8-fold, mirror-image symmetry
 96 index
 L/W = 1.000 T/W = 0.556 U/W = 0.556
 P/W = 0.450 C/W = 0.139
 Vol./W³ = 0.198



PAVILION		CROWN			
03-09-15-21-27-33-39-45-51-57-63-69-75-81-87-93	Create TCP	C1	42.00 ⁰	03-09-15-21-27-33-39-45-51-57-63-69-75-81-87-93	Set girdle thickness
Girdle	Cut to size, rolled girdle	C2	35.00 ⁰	96-12-24-36-48-60-72-84	Meet C1, G
96-12-24-36-48-60-72-84	Meet P1, G, form PCP	C3	20.00 ⁰	06-18-30-42-54-66-78-90	Meet C1, C2
		T	0.00 ⁰	Table	Meet C3, C2, C3

ARTS & CRAFTS PAVILION

LEGO CHALLENGE

LEGO BUILDING - MAKE YOUR OWN DESIGN

PRIZES TO BE WON!

JUNIOR
 1st - \$8
 2nd - \$4

OPEN
 1st - \$20
 2nd - \$10

JUNIOR

CLASS 27176 - UNDER 12 YEARS

CLASS 27177 - 13 TO UNDER 18 YEARS

OPEN

CLASS 27178 - 18 YEARS & OVER

SPECIAL NEEDS

CLASS 27179 - UNDER 12 YEARS

CLASS 27180 - 13 TO UNDER 18 YEARS

CLASS 27181 - 18 YEARS & UNDER

MECHANICAL

CLASS 27182 - UNDER 12 YEARS

CLASS 27183 - 13 TO UNDER 18 YEARS

CLASS 27184 - 18 YEARS & OVER

CLASS 27185 - SPECIAL NEEDS - UNDER 12 YEARS

CLASS 27186 - SPECIAL NEEDS - 13 TO UNDER 18 YEARS

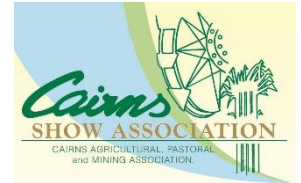
CLASS 27187 - SPECIAL NEEDS - 18 YEARS & OVER



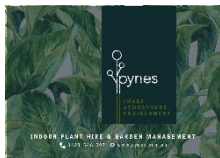
SPONSORS

THANK YOU!

The Cairns Show Association wishes to record its sincere appreciation to the following Cairns Show Sponsors who have contributed to this event.



SPONSORS





**CAIRNS
SHOW**



**15TH - 17TH
JULY 2026**

**SECTION 27
CRAFT &
NEEDLEWORK**